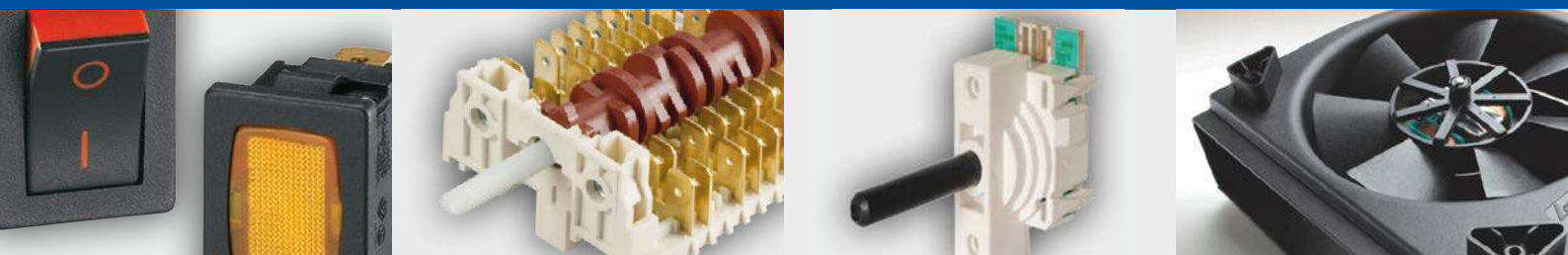


# 30 *Cverel*

THE WORLD IN A CLICK



## HAIRDRYER SWITCHES



***Dreefs***

 **SIGNAL LUX**

**giiwem**

**M MOLVENO**

 **KAUTT & BUX**

# **Hairdryer Switches**

01



**CO**

112



**CN**

116



**CP**

120



**CB**

122



**CK**

124



**CS**

126



**DC**

128



**SUB-ASSEMBLIES**

130

---



CO

<b>TYPICAL APPLICATIONS</b>	Hairdryers
<b>FUNCTIONS</b>	■ SPDT (3 positions 0/1/1+2)
<b>CYCLE No.</b>	50.000
<b>CUT OUT</b>	See drawing
<b>AMBIENT TEMPERATURE</b>	85 °C
<b>GWT</b>	850 °C

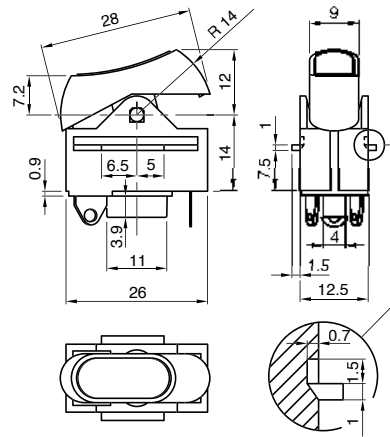


C O

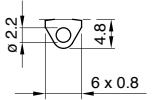
DRAWING

?

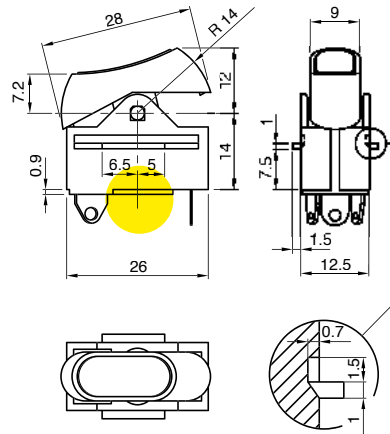
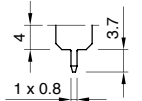
TERMINAL



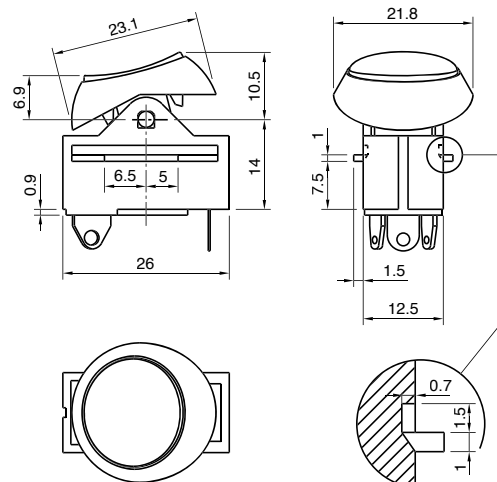
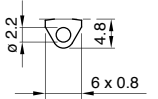
K



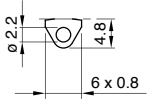
L

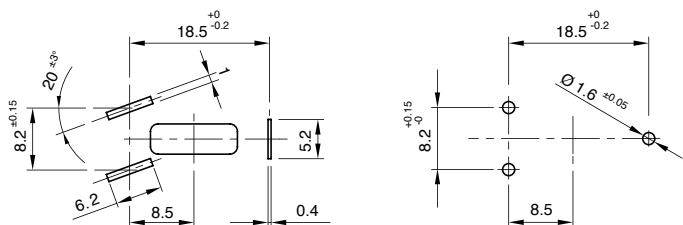


M



S

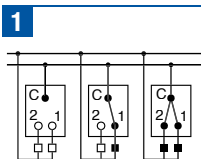




TERMINAL	FUNCTION	RATING	BODY COLOUR	ROCKER COLOUR	MARKING	MARKING COLOUR
C	0					
					0	0

?	?	?	?	?	?	?	0	0
---	---	---	---	---	---	---	---	---

**FUNCTION      RATING      BODY COLOUR      ROCKER COLOUR      MARKING      MARKING COLOUR**



**2**

16 A / 250 VAC  
 10 A / 250 VAC - 5E4  
 T85 °C  
 µ disconnection  
 EN 61058

**3**

16 A / 250 VAC  
 10 A / 250 VAC - 5E4  
 T85 °C  
 µ disconnection  
 EN 61058

13 A / 125 VAC  
 6.5 A / 250 VAC  
 T65 °C  
 UL 1054

**1**   
 brown

- 1**  black
- 2**  white
- 5**  grey
- 9**  red
- X**  ?  
 custom

- Terminal S**
- 1**  black
  - X**  ?  
 custom

- 0**
- A**
- B**
- C**
- D**
- E**
- F**
- X**  ?  
 custom

- Terminal S**
- 0**
  - X**  ?  
 custom

- 0** none
- 1**  black
- 2**  white
- 5**  grey
- 7**  light blue
- 8**  red
- X**  ?  
 custom



CO

<b>TYPICAL APPLICATIONS</b>	Hairdryers
<b>FUNCTIONS</b>	■ SPDT (3 positions 0/1/1+2)
<b>CYCLE No.</b>	50.000
<b>CUT OUT</b>	See drawing
<b>AMBIENT TEMPERATURE</b>	85 °C
<b>GWT</b>	850 °C

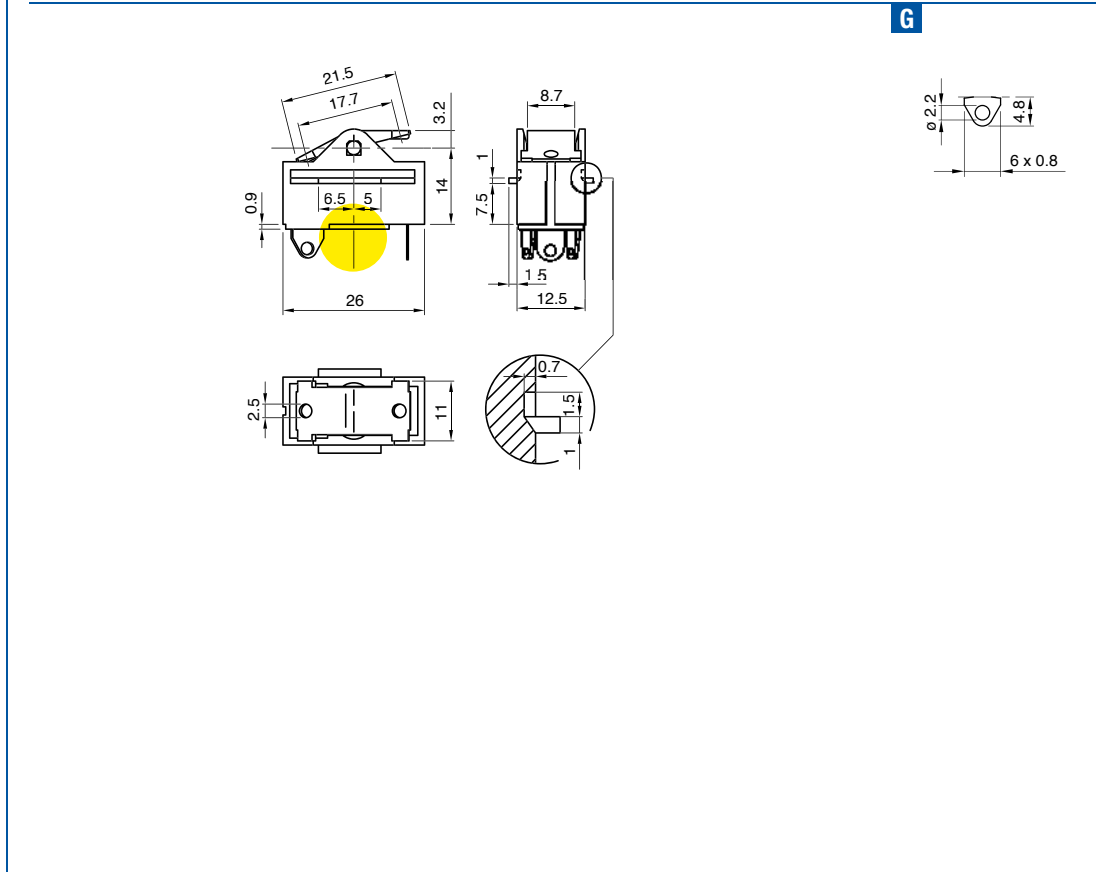
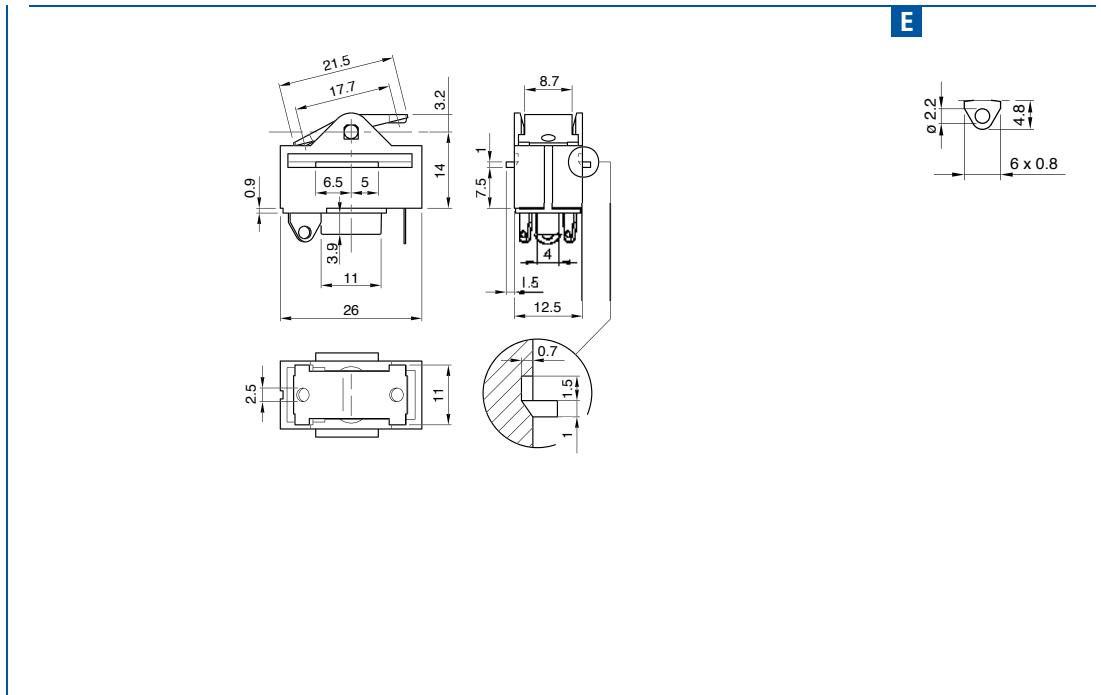


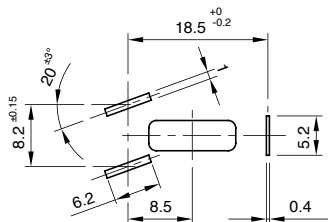
C O

DRAWING

?

TERMINAL



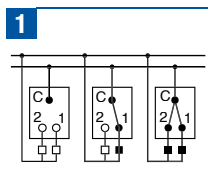


TERMINAL	FUNCTION	RATING	BODY COLOUR	ROCKER COLOUR
C	0			
0				

?	?	?	?
---	---	---	---

0	0	0	0
---	---	---	---

**FUNCTION**      **RATING**      **BODY COLOUR**      **ROCKER COLOUR**



**2**

16 A / 250 VAC  
 10 A / 250 VAC - 5E4  
 T85 °C  
 µ disconnection  
 EN 61058

**3**

16 A / 250 VAC  
 10 A / 250 VAC - 5E4  
 T85 °C  
 µ disconnection  
 EN 61058

13 A / 125 VAC  
 6.5 A / 250 VAC  
 T65 °C  
 UL 1054

**1** ■  
 brown

**1** ■  
 brown



# CN

<b>TYPICAL APPLICATIONS</b>	Hairdryers
<b>FUNCTIONS</b>	■ SPDT (3 positions 0/1/1+2)
<b>CYCLE No.</b>	50.000
<b>CUT OUT</b>	See drawing
<b>AMBIENT TEMPERATURE</b>	85 °C
<b>GWT</b>	850 °C



**C N**

**DRAWING**

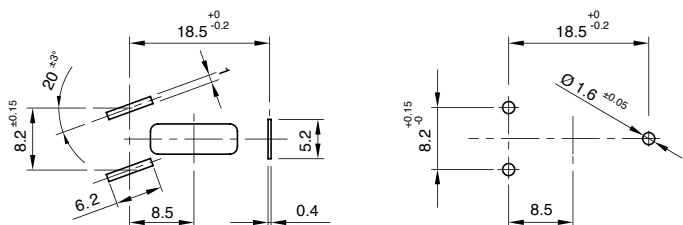
**?**

**TERMINAL**



	<p><b>E</b></p>
	<p><b>G</b></p>
	<p><b>K</b></p> <p><b>L</b></p>

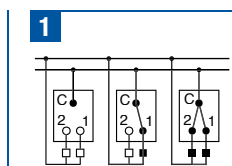




TERMINAL	FUNCTION	RATING	BODY COLOUR	ROCKER COLOUR	MARKING	MARKING COLOUR
C	N					
					0	0

?	?	?	?	?	?	?	0	0
---	---	---	---	---	---	---	---	---

**FUNCTION      RATING      BODY COLOUR      ROCKER COLOUR      MARKING      MARKING COLOUR**



**2**  
 16 A / 250 VAC  
 10 A / 250 VAC - 5E4  
 T85 °C  
 µ disconnection  
 EN 61058

**3**  
 16 A / 250 VAC  
 10 A / 250 VAC - 5E4  
 T85 °C  
 µ disconnection  
 EN 61058  
 13 A / 125 VAC  
 6.5 A / 250 VAC  
 T65 °C  
 UL 1054

**1**    
 black

**X** ?  
 custom

**1**    
 black

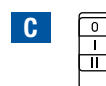
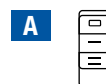
**2**    
 white

**9**    
 red

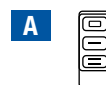
**X** ?  
 custom

**0** None

Terminal E - G



Terminal K - L



**X** ?  
 custom

**0**  
 none

**1**    
 black

**2**    
 white

**5**    
 grey

**7**    
 light blue

**8**    
 red

**X** ?  
 custom



# CN

<b>TYPICAL APPLICATIONS</b>	Hairdryers
<b>FUNCTIONS</b>	■ SPDT (3 positions 0/1/1+2)
<b>CYCLE No.</b>	50.000
<b>CUT OUT</b>	See drawing
<b>AMBIENT TEMPERATURE</b>	85 °C
<b>GWT</b>	850 °C

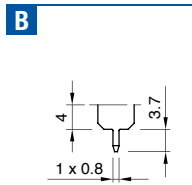
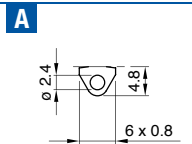
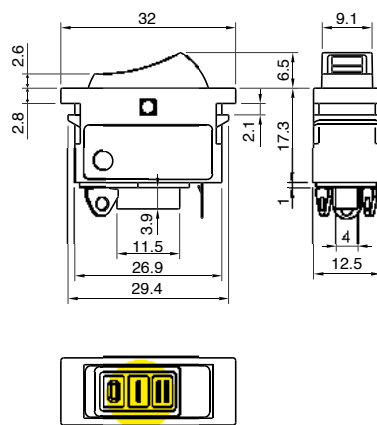
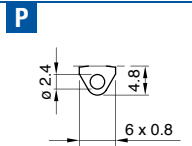
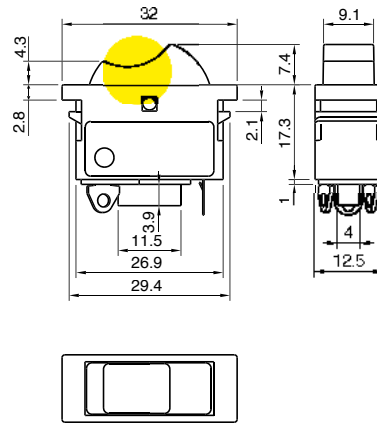


**C** **N**

## DRAWING

**?**

## TERMINAL





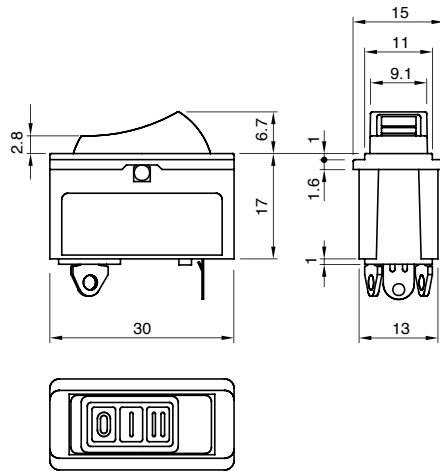


# CP

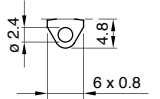
<b>TYPICAL APPLICATIONS</b>	Hairdryers
<b>FUNCTIONS</b>	■ SPDT (3 positions 0/1/1+2)
<b>CYCLE No.</b>	50.000
<b>CUT OUT</b>	See drawing
<b>AMBIENT TEMPERATURE</b>	85 °C
<b>GWT</b>	850 °C

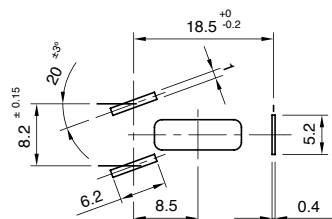


## TERMINAL



C

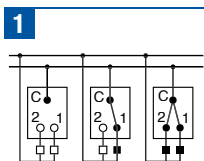




TERMINAL	FUNCTION	RATING	BODY COLOUR	ROCKER COLOUR				
C	P				0	0	0	0

?	?	?	?
FUNCTION	RATING	BODY COLOUR	ROCKER COLOUR

0	0	0	0
---	---	---	---



**2**

16 A / 250 VAC  
10 A / 250 VAC - 5E4  
T85 °C  
μ disconnection  
EN 61058

**3**

16 A / 250 VAC  
10 A / 250 VAC - 5E4  
T85 °C  
μ disconnection  
EN 61058

13 A / 125 VAC  
6.5 A / 250 VAC  
T65 °C  
UL 1054

**1**   
black

**2**   
white

**X**   
custom

**1**   
black

**2**   
white

**9**   
red

**X**   
custom



# CB

<b>TYPICAL APPLICATIONS</b>	Hairdryers
<b>FUNCTIONS</b>	■ 2x SPST (3 positions 0-0/0-1/1-1)
<b>CYCLE No.</b>	50.000
<b>CUT OUT</b>	See drawing
<b>AMBIENT TEMPERATURE</b>	85 °C
<b>GWT</b>	850 °C

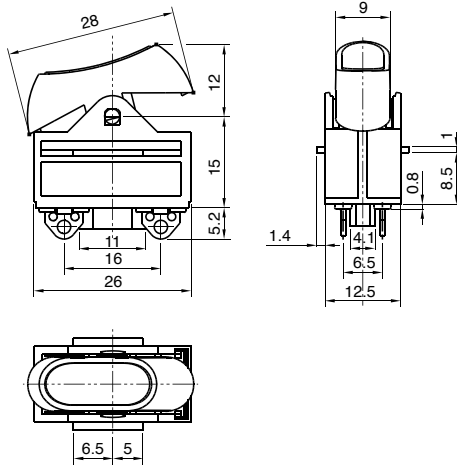


**C B**

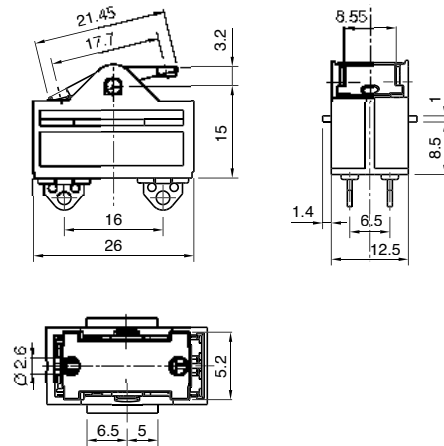
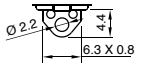
**DRAWING**

**?**

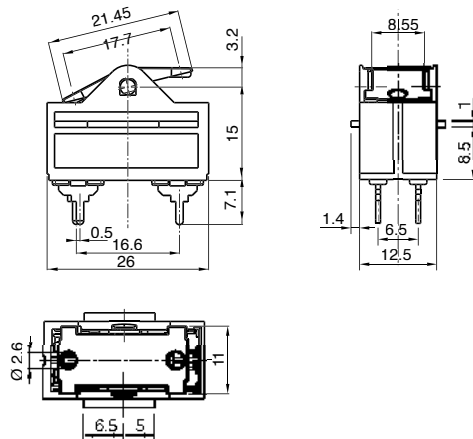
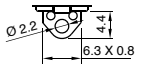
**TERMINAL**



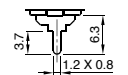
**K**



**G**



**H**







# CK

<b>TYPICAL APPLICATIONS</b>	Hairdryers
<b>FUNCTIONS</b>	■ 2x SPST (3 positions 0-0/0-1/1-1)
<b>CYCLE No.</b>	50.000
<b>CUT OUT</b>	See drawing
<b>AMBIENT TEMPERATURE</b>	85 °C
<b>GWT</b>	850 °C



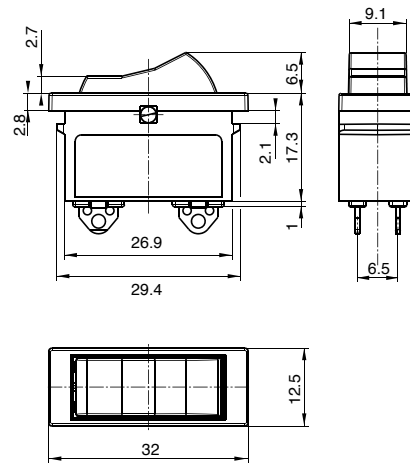
C

K

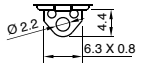
DRAWING

?

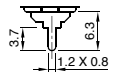
TERMINAL



G



H









# CS

<b>TYPICAL APPLICATIONS</b>	Hairdryers
<b>FUNCTIONS</b>	■ 2x SPST (3 positions 0-0/0-1/1-1)
<b>CYCLE No.</b>	50.000
<b>CUT OUT</b>	See drawing
<b>AMBIENT TEMPERATURE</b>	85 °C
<b>GWT</b>	850 °C



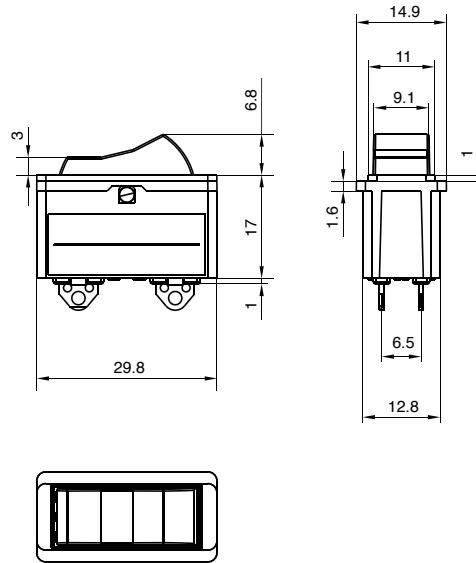
C

S

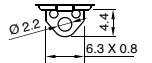
DRAWING

?

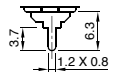
TERMINAL

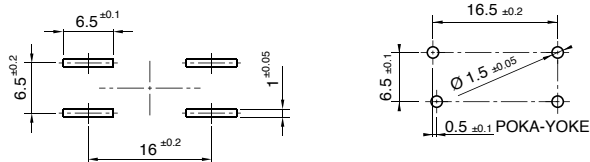


G



H





C	S	TERMINAL	FUNCTION	RATING	BODY COLOUR	BUTTON COLOUR	MARKING	MARKING COLOUR	0	0

?	?	?	?	?	?	?	?	0	0
---	---	---	---	---	---	---	---	---	---

**FUNCTION**      **RATING**      **BODY COLOUR**      **ROCKER COLOUR**      **MARKING**      **MARKING COLOUR**

**1**

**2**

16 A / 250 VAC  
 10 A / 250 VAC - 5E4  
 T85/55 °C  
 µ disconnection  
 EN 61058

16 A / 125 VAC  
 T65 °C  
 UL 1054

**1**    
 black

**1**    
 black

**0**

**A**

**B**

**X**

**0** none

**2**  white

**X**  custom

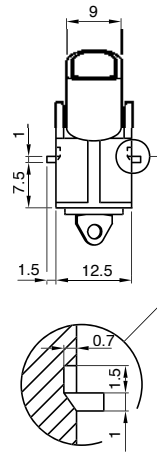
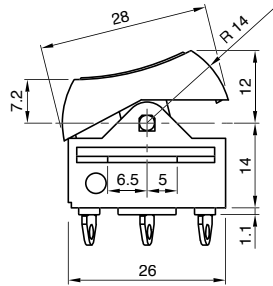


# DC

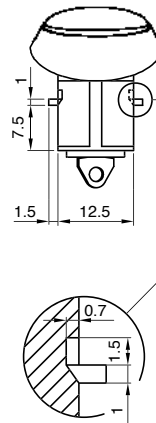
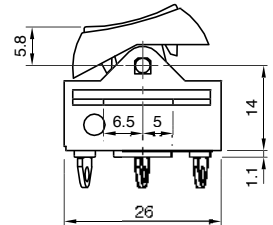
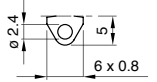
<b>TYPICAL APPLICATIONS</b>	Hairdryers
<b>FUNCTIONS</b>	■ SPST, momentary or not
<b>CYCLE No.</b>	50.000
<b>CUT OUT</b>	-
<b>AMBIENT TEMPERATURE</b>	125 °C
<b>GWT</b>	850 °C



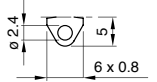
## TERMINAL



**S**



**U**





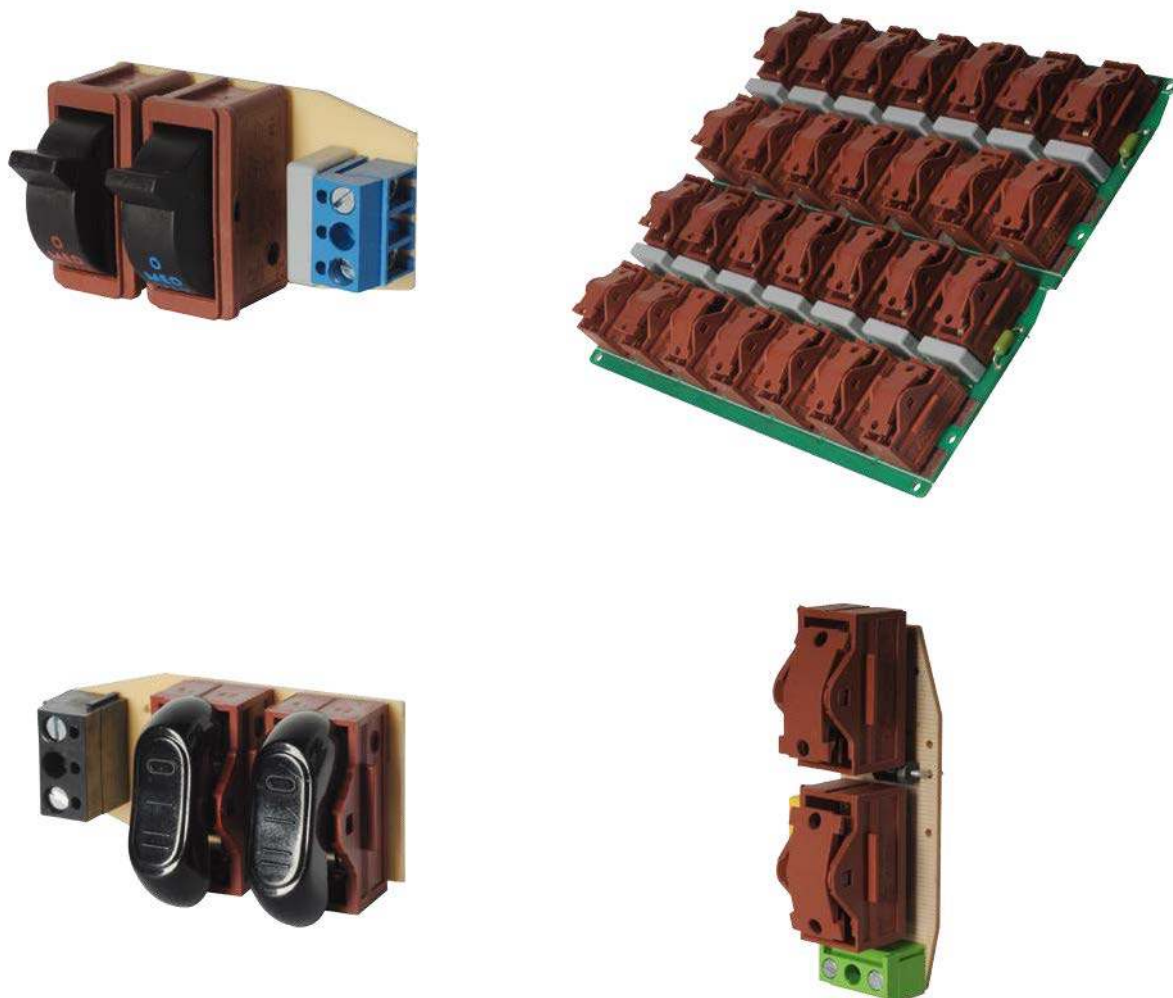
# SUB-ASSEMBLIES

In order to increase the collaboration with its own customers to create added value solutions, Everel has developed internal competencies and technologies to design and to manufacture control boards.

This type of activity has been particularly effective in combination with electromechanical components design and production, field in which Everel is a recognized leader; it has found very appreciated applications in control boards of hairdryers.

In close partnership with its own customers, Everel has developed many products. The R&D staff is available to design the perfect solutions according with Customer requests.

Below you could find some example of Everel sub-assemblies:







**Everel Group S.P.A.**

[Headquarter - Production Site]

Via Cavour, 9

37067 Valeggio sul Mincio (VR) - Italy

tel. +39 045 6313711

fax +39 045 6313730

**Dreefs GmbH**

[Production Site]

Ernst-Dreefs-Straße 7

96364 Marktrodach - Germany

tel. +49 9261 9610

fax +49 9261 961248

**Everel Romania S.r.l.**

[Production Site]

Calea Timisorii 109

Lipova - Arad - Romania

tel. +40 257 563087

fax +40 257 563086

[www.everelgroup.com](http://www.everelgroup.com)

