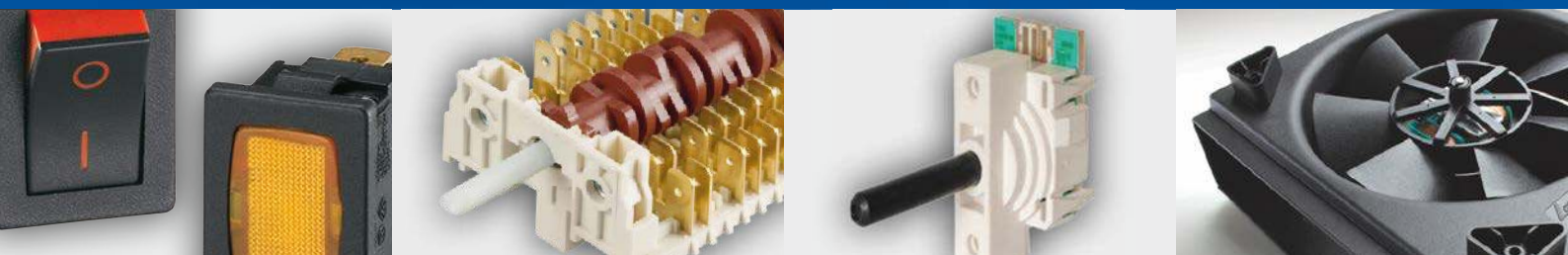


30 **CVEREL**

THE WORLD IN A CLICK



SLIDE AND ROTARY SWITCHES



Dreefs

 **SIGNAL LUX**

givem

M MOLVENO

 **KAUTT & BUX**

Slide and Rotary Switches

01



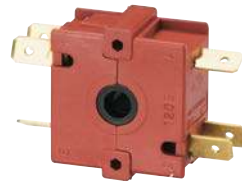
LF

134



P5

136



R1

138



DS

140



DH

141



LF

TYPICAL APPLICATIONS Cooker hoods, hairdryers

- FUNCTIONS**
- 1 step, SP or DP
 - 2 steps, DP
 - 3 steps, DP

CYCLE No. 10.000

CUT OUT Rear panel

AMBIENT TEMPERATURE 125 °C

GWT 850 °C

GWT NO FLAME (<2sec) 750 °C



DRAWING



LF2

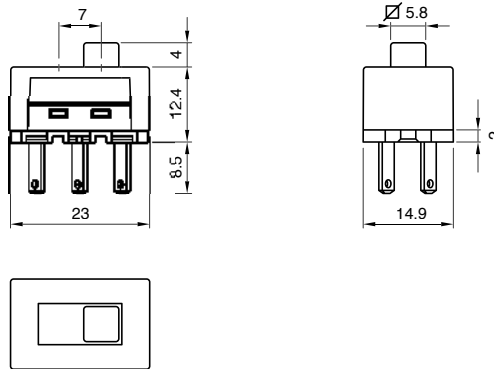


LF3

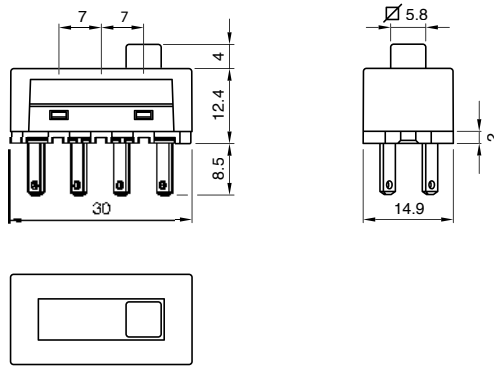


LF4

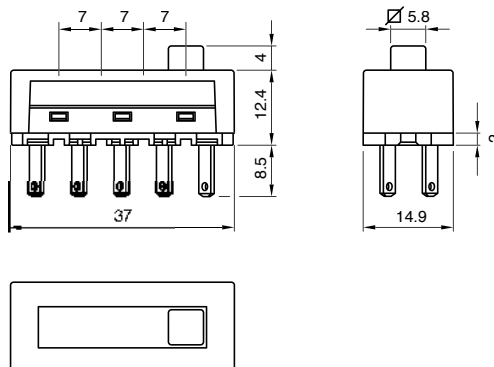
2



3



4





P5

TYPICAL APPLICATIONS Cooker hoods, hairdryers

FUNCTIONS ■ 5 steps, DP

CYCLE No. 10.000

CUT OUT Rear panel

AMBIENT TEMPERATURE 125 °C

GWT 850 °C

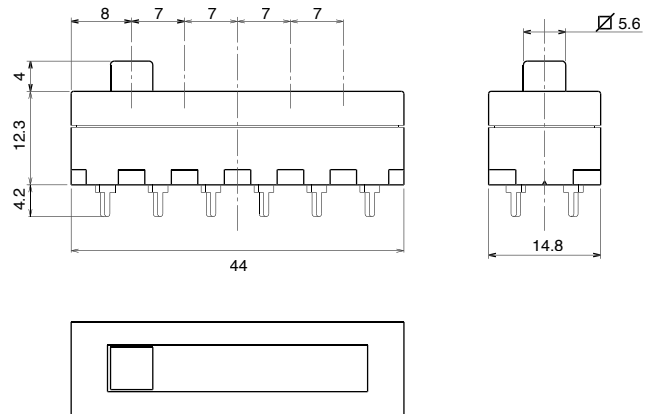
GWT NO FLAME (<2sec) 750 °C on demand

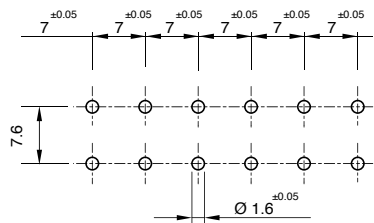


P

5

DRAWING





	RATING	FUNCTION	TERMINAL			
P	5			0	0	0

?

RATING

?

FUNCTION

?

TERMINAL

0

0

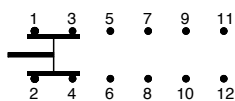
0

L

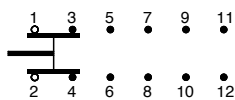
10 A / 250 VAC
5 (5) A / 250 VAC
T125/55 °C
EN 61058

13 A / 125 VAC
6.5 A / 250 VAC
T65 °C
UL 1054

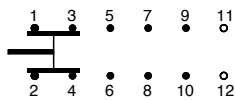
A



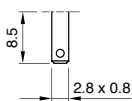
B



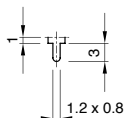
C

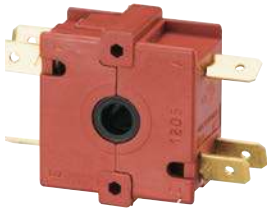


0



4





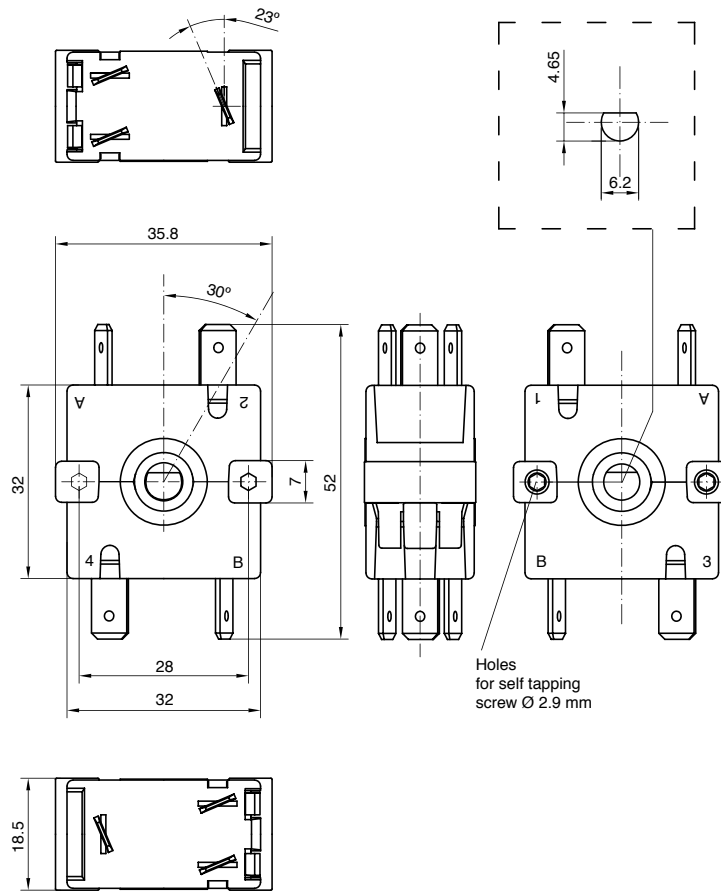
R1

TYPICAL APPLICATIONS	Fan heaters, small ovens, cleaners
FUNCTIONS	■ 30° steps (up to 6 positions), SP or DP
CYCLE No.	10.000 (50.000 on demand)
CUT OUT	28 mm interaxes screws
AMBIENT TEMPERATURE	150 °C
GWT	850 °C
GWT NO FLAME (<2sec)	750 °C on demand



R 1

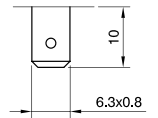
DRAWING



?

TERMINAL

1





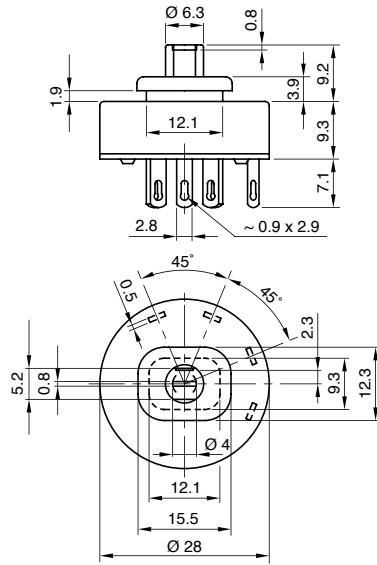
DS

TYPICAL APPLICATIONS	HVAC
FUNCTIONS	■ 45° steps (with 3 or 5 rest positions), SP
CYCLE No.	50.000
CUT OUT	Rear panel
AMBIENT TEMPERATURE	85 °C
GWT	850 °C
GWT NO FLAME (<2sec)	750 °C on demand

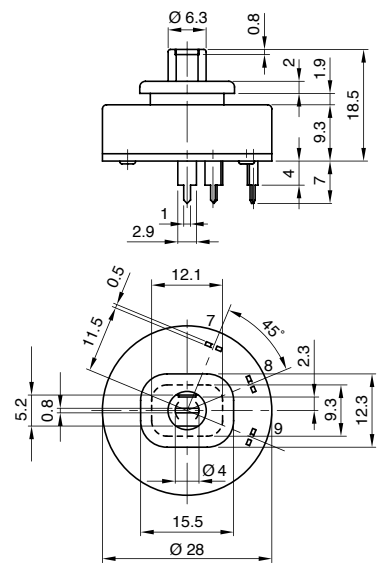


DRAWING

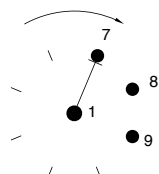
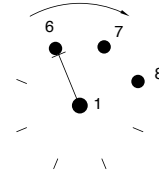
DS37



DS51



FUNCTION



RATING

2 (2) A / 250 VAC - 5E4
T85 °C
EN 61058
 2A / 250 VAC
 T65 °C
 UL 1054



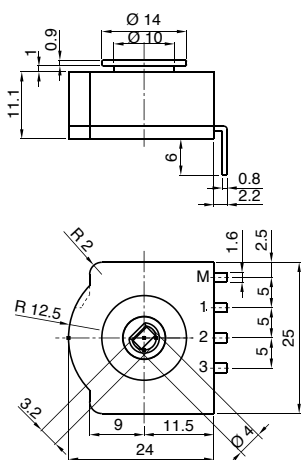
DH

TYPICAL APPLICATIONS	Circulation pumps
FUNCTIONS	■ 45° steps (with 3 positions), SP
CYCLE No.	10.000
CUT OUT	Rear panel
AMBIENT TEMPERATURE	85 °C
GWT	850 °C
GWT NO FLAME (<2sec)	750 °C

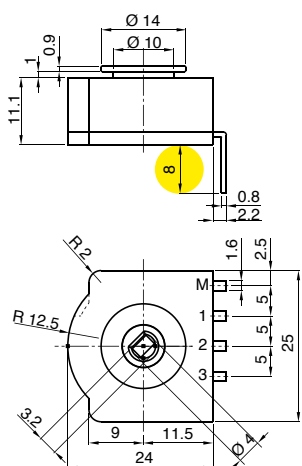


DRAWING

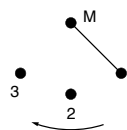
DH3



DH4



FUNCTION



RATING

2 (2) A / 250 VAC
1 (0.5) A / 250 VAC
T85 °C
EN 61058
 2A / 125 VAC
 T85 °C
 UL 1054



- Headquarter
- Production Site
- Sales Network



Everel Group S.P.A.

[Headquarter - Production Site]

Via Cavour, 9

37067 Valeggio sul Mincio (VR) - Italy

tel. +39 045 6313711

fax +39 045 6313730

Dreefs GmbH

[Production Site]

Ernst-Dreefs-Straße 7

96364 Marktrodach - Germany

tel. +49 9261 9610

fax +49 9261 961248

Everel Romania S.r.l.

[Production Site]

Calea Timisorii 109

Lipova - Arad - Romania

tel. +40 257 563087

fax +40 257 563086

www.everelgroup.com

