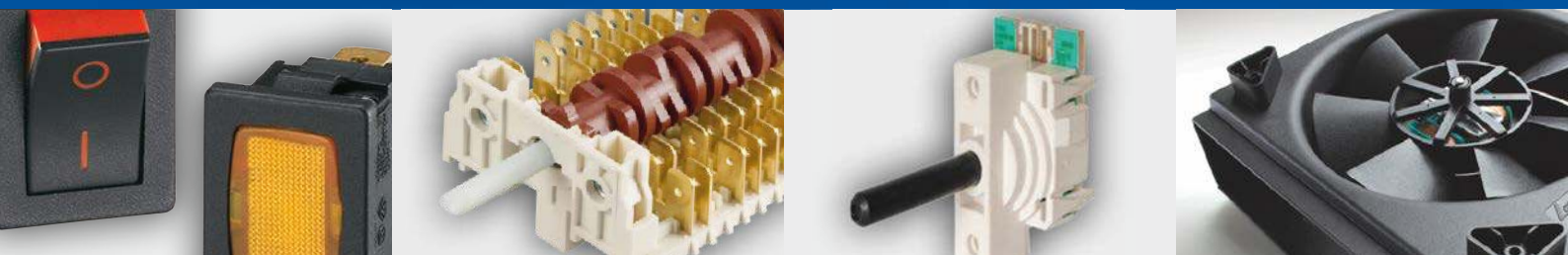


30 CVEREL

THE WORLD IN A CLICK



VENTILATION UNITS



Dreefs

 **SIGNAL LUX**

givem

M MOLVENO

 **KAUTT & BUX**

Ventilation Units

05



Ventilation Blower

216



Axial Blower

217



**Axial/Tangential
Blower**

218



**Fan Blower
50 mm deep**

219



**Centrifugal Blower
to exhaust cooking vapours**

220



**Ventilation Unit
for Oven**

221



**Dishwasher Cooling
Ventilation Unit**

222



VENTILATION BLOWER

WITH SNAP-IN MOUNTING

PATENTED



Ventilation blower consisting of motor with fan, with an easy fastening system. Efficient and silent, it is suitable to be used in every ventilation and cooling solutions.

FEATURES

Easy mounting without tools

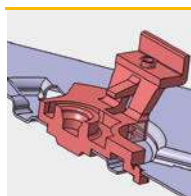
Forcing or suction fan available

Motor \varnothing 58

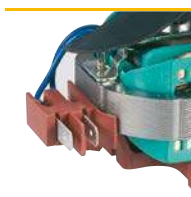
Special plastic flange with easy fastening system



OPTIONS



Snap-in mounting
example

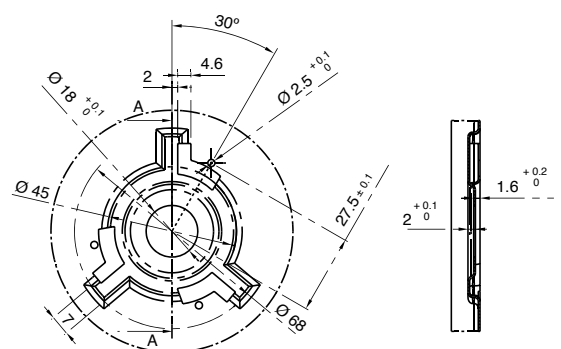


Quick
connection 6.3



Snap-in
backmounting
solution

CUT OUT





AXIAL BLOWER

FEATURES

Class of insulation: F

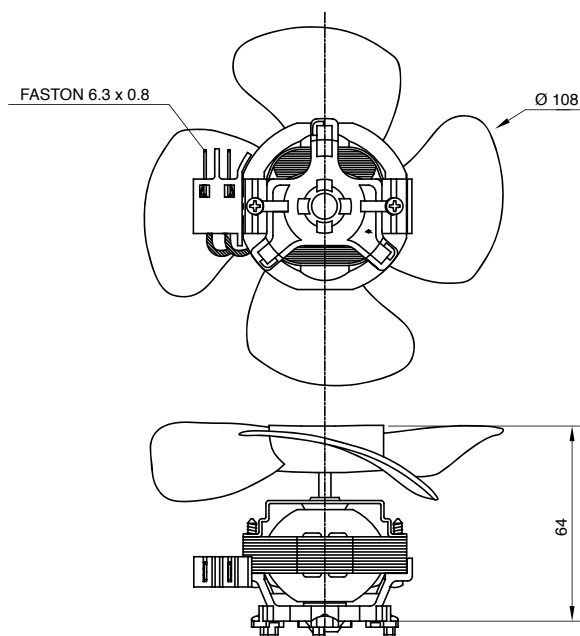
Motor \varnothing 58 with quick connection
6.3 mm + 4 blades-fan

Mounting system: fastening system
without tools

Endurance test 3000 h /120 °C



DRAWING





AXIAL/ TANGENTIAL BLOWER

FEATURES

Class of insulation: F/H

Motor \varnothing 58 + housing in fiber glass reinforced thermoplastic material
+ 7 blades-fan

Mounting system: self screwing

Endurance test 3000 h /120 °C

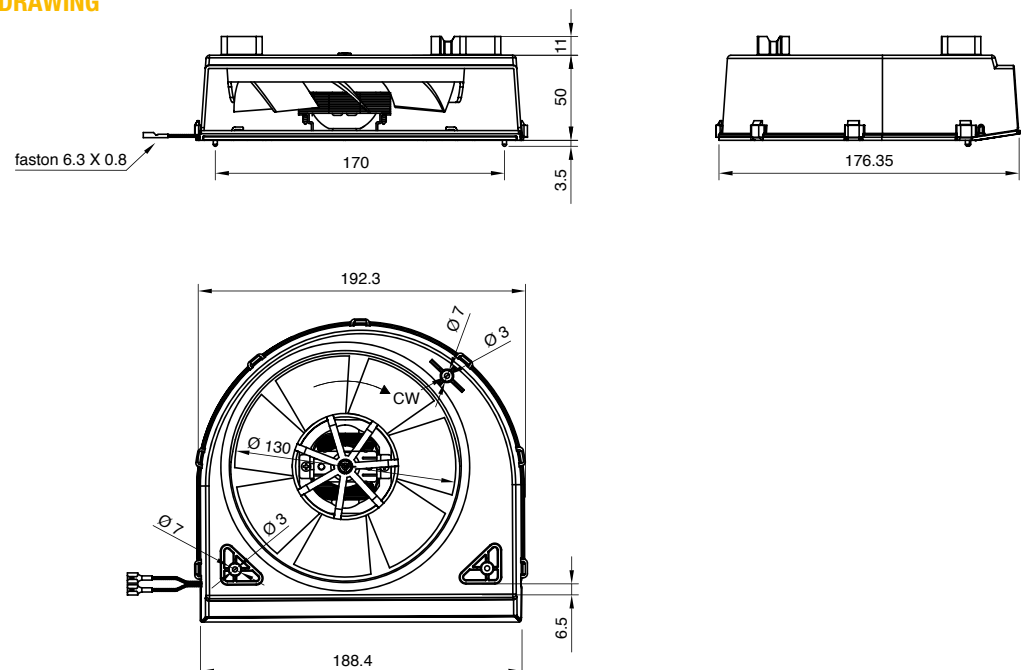
PATENTED



Designed for the built-in oven cooling, noiseless, it is the best compromise between costs and benefits. The axial design provide long-term stability and balance to the blower.



DRAWING





FAN BLOWER 50 MM DEEP

FEATURES

Reduced dimensions

Suitable for ambient temperature till 120 °C

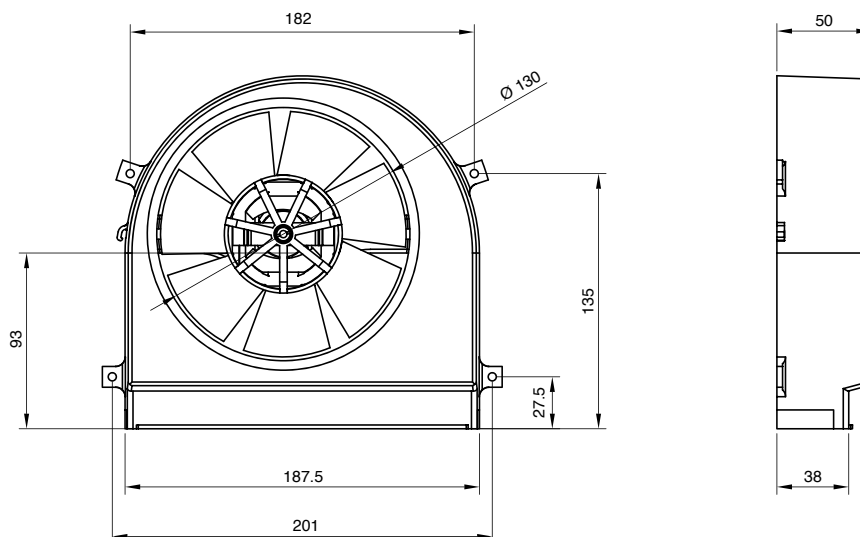
Applications: oven ventilation

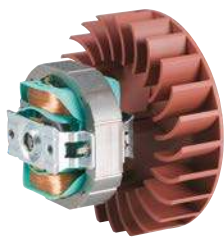
Class H version available

Blower output: between 70 m³/h and
100 m³/h (between 41 CFM and 59 CFM)



DRAWING





CENTRIFUGAL BLOWER

TO EXHAUST
COOKING VAPOURS

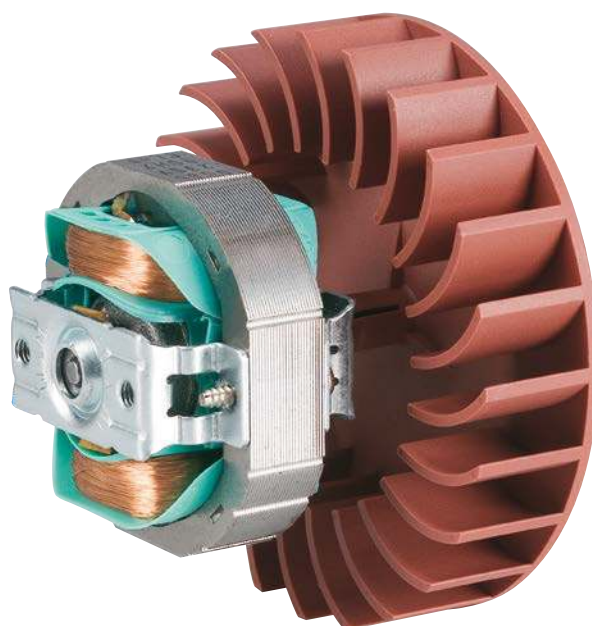
FEATURES

Class of insulation: F

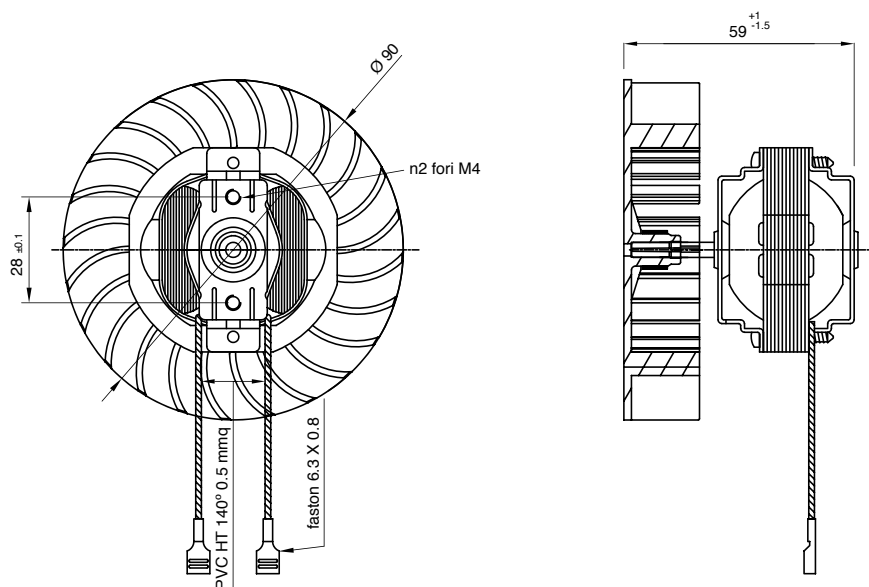
Motor \varnothing 58 + 24 blades-fan

Mounting system: M4 Screws

Endurance test 3000 h /120 °C



DRAWING





VENTILATION UNIT FOR OVEN

UP TO 900 MM SIZE

PATENTED



FEATURES

Suitable to cool down ovens' frontal door and electronic control

Suitable to exhaust cooking vapours

Class of insulation: F; H version also available

Motor Ø 58 + housing in fiber glass reinforced + 7-blades fan

Mounting system: screws

Life test: 5.000h/120 °C

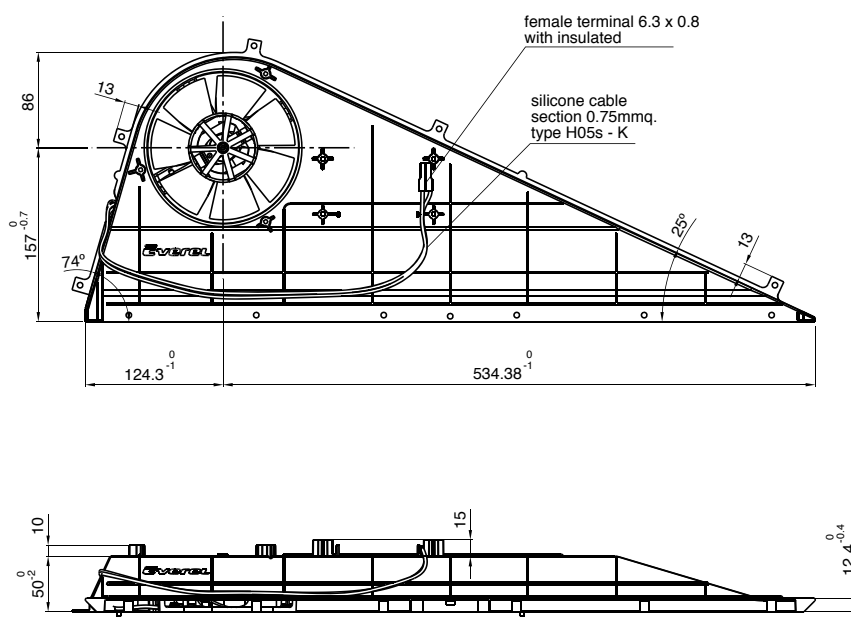
Blower output: 90 m³/h

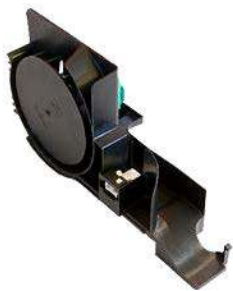
Height: 50-60 mm

Version for oven up to 600 mm available



DRAWING





DISHWASHER COOLING VENTILATION UNIT

FEATURES

Suitable to cool down the outside of dishwasher's vat

It reduces drying time

Class of insulation: F; available also H version

Motor \varnothing 58 + 12-blades fan and plastic cage

Mounting system: screws

Life test: 5.000h/120 °C

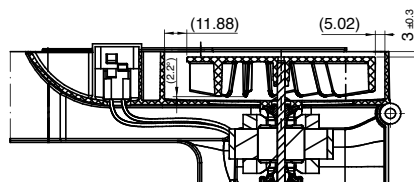
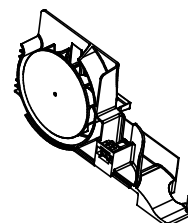
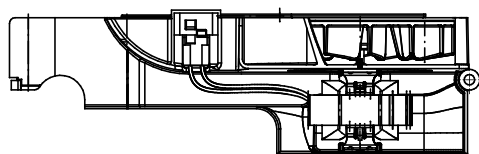
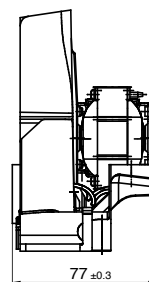
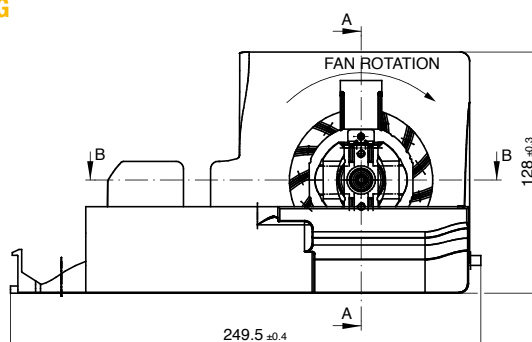
Blower output: 45 m³/h

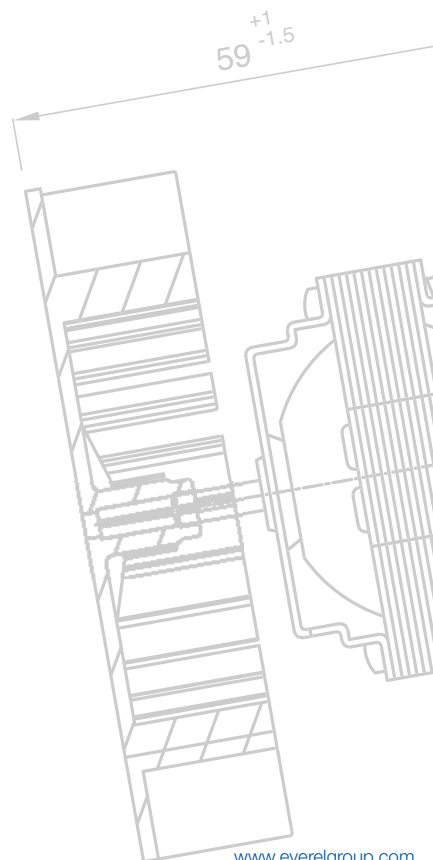
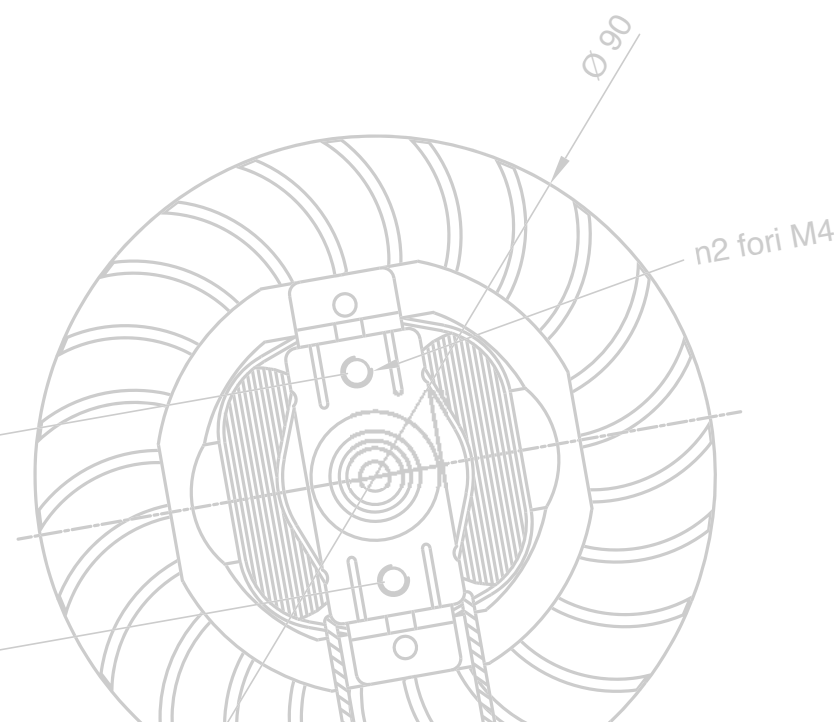
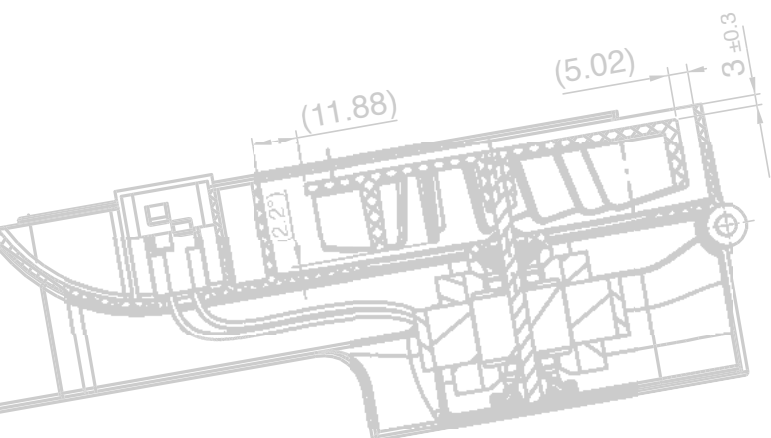
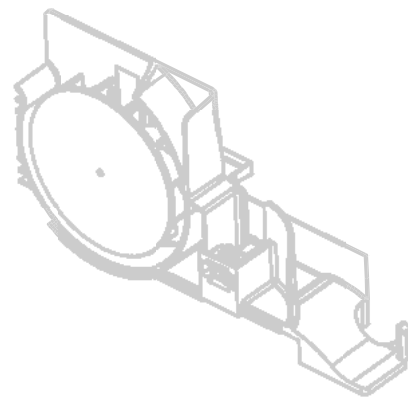
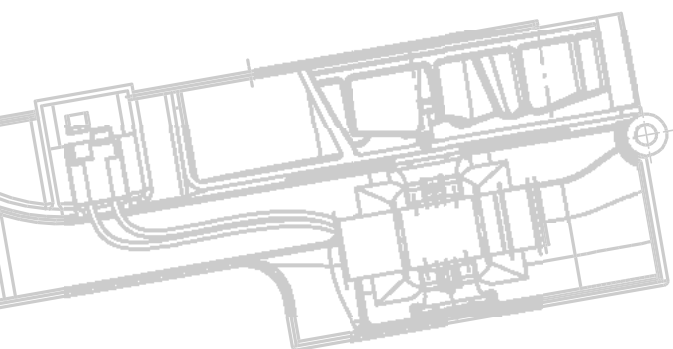
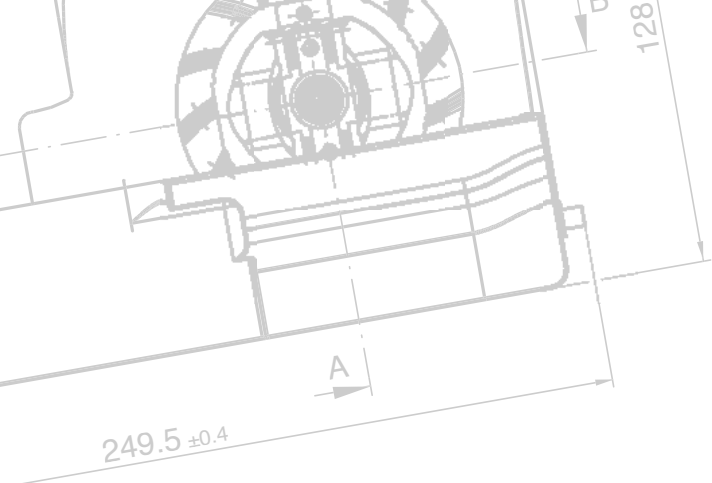
Height: 50-60 mm

PA 66 FG plastic housing



DRAWING







Everel Group S.P.A.

[Headquarter - Production Site]

Via Cavour, 9

37067 Valeggio sul Mincio (VR) - Italy

tel. +39 045 6313711

fax +39 045 6313730

Dreefs GmbH

[Production Site]

Ernst-Dreefs-Straße 7

96364 Marktrodach - Germany

tel. +49 9261 9610

fax +49 9261 961248

Everel Romania S.r.l.

[Production Site]

Calea Timisorii 109

Lipova - Arad - Romania

tel. +40 257 563087

fax +40 257 563086

www.everelgroup.com

