

A4



TYPICAL APPLICATIONS	Vacuum cleaners, HVAC
FUNCTIONS	<ul style="list-style-type: none"> ■ SPST ■ DPST, illuminated or not ■ DPST, momentary or not ■ DPCO ■ DPDT, momentary or not
CYCLE No.	50.000
CUT OUT	19x22 mm
AMBIENT TEMPERATURE	125 °C
GWT	850 °C
GWT NO FLAME (<2 sec)	750 °C on demand



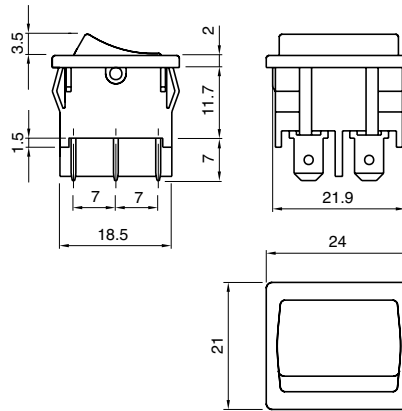
DRAWING



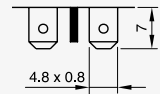
TERMINAL



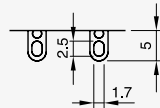
WATERPROOF CAP



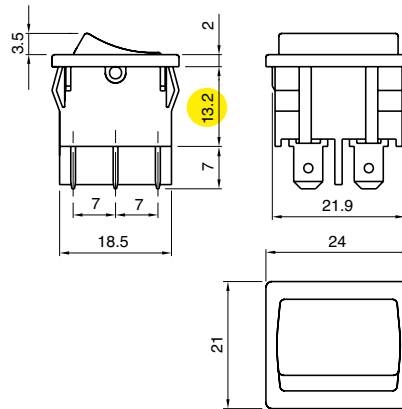
1

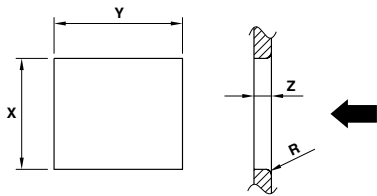


2



Function 9





Z	Y	X
0,7 ... 1,25	22,0 ±0,1	19,0 +0,2 0
1,25 ... 2,0	22,0 ±0,1	19,3 +0,2 0
2,0 ... 3,0	22,0 ±0,1	19,6 +0,2 0

A **4** **0** **0** **0**

TERMINAL FUNCTION RATING BODY COLOUR ROCKER COLOUR MARKING COLOUR MARKING

FUNCTION	RATING	BODY COLOUR	ROCKER COLOUR	MARKING COLOUR	MARKING
1 2 7 8 9 E L M 	2 Function 7 - M 6 (2) A / 250 VAC 3 (1) A / 250 VAC - 5E4 T125/55 °C - T125 °C EN 61058-1 6 A GP - 125 / 250 VAC 1/6 HP - 250 VAC 1/10 HP - 125 VAC T105/55 °C UL 61058-1 3 Function 1 - 2 - L - 8 10 (4) A / 250 VAC 6 (4) A / 250 VAC - 5E4 T125/55 °C - T125 °C EN 61058-1 10 A GP - 125 / 250 VAC 1/3 HP - 125 VAC 1/2 HP - 250 VAC T105/55 °C UL 61058-1 6 Function 9 - E 10 (2) A / 250 VAC 6 (1) A / 250 VAC - 5E4 T125/55 °C - T125 °C µ disconnection EN 61058-1 6 A GP - 125 / 250 VAC 1/8 HP - 125 VAC 1/6 HP - 250 VAC T105/55 °C µ disconnection UL 61058-1 B Function 2 13 (4) A / 250 VAC 8 (8) A / 250 VAC - 5E4 T125/55 °C - T125 °C EN 61058-1 15 A GP / 125 VAC 10 A GP / 250 VAC 1/3 HP - 125 VAC 1/2 HP - 250 VAC T105/55 °C UL 61058-1 Function 9 13 (4) A / 250 VAC 6 (4) A / 250 VAC - 5E4 T125/55 °C - T125 °C µ disconnection EN 61058-1 15 A GP / 125 VAC 10 A GP / 250 VAC 1/3 HP - 125 VAC 1/2 HP - 250 VAC T105/55 °C µ disconnection UL 61058-1	1 <input checked="" type="checkbox"/> black 2 <input type="checkbox"/> white X ? <input type="checkbox"/> custom	1 <input checked="" type="checkbox"/> black 2 <input type="checkbox"/> white ILLUMINATED G <input checked="" type="checkbox"/> red H <input type="checkbox"/> orange E <input checked="" type="checkbox"/> green L <input type="checkbox"/> white X ? <input type="checkbox"/> custom	0 none 1 <input checked="" type="checkbox"/> black 2 <input type="checkbox"/> white 8 <input checked="" type="checkbox"/> red X ? <input type="checkbox"/> custom	0 1 3 6 9 C K N X

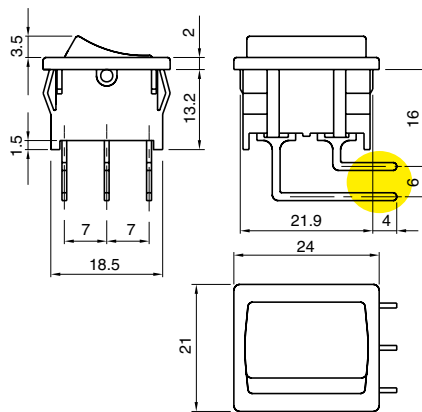
A4



TYPICAL APPLICATIONS	Vacuum cleaners, HVAC
FUNCTIONS	<ul style="list-style-type: none"> ■ DPST, illuminated or not ■ DPDT
CYCLE No.	50.000
CUT OUT	19x22 mm
AMBIENT TEMPERATURE	125 °C
GWT	850 °C
GWT NO FLAME (<2 sec)	750 °C on demand

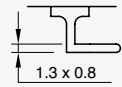
A 4

DRAWING



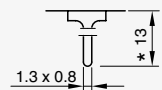
TERMINAL

C

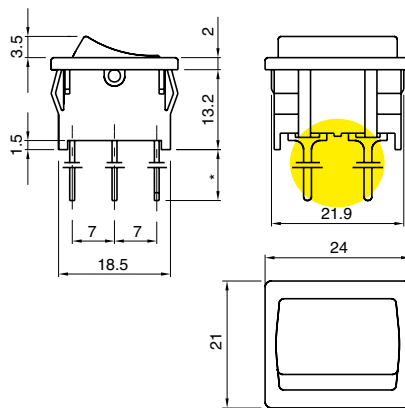
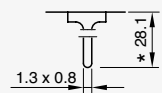


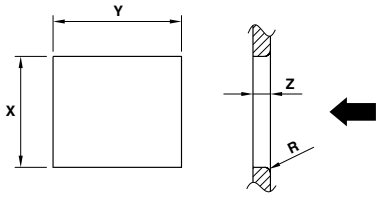
WATERPROOF CAP

5



6





Z	Y	X
0,7 ... 1,25	22,0 ±0,1	19,0 ^{+0,2} / ₀
1,25 ... 2,0	22,0 ±0,1	19,3 ^{+0,2} / ₀
2,0 ... 3,0	22,0 ±0,1	19,6 ^{+0,2} / ₀

A	4								0	0	0
TERMINAL	FUNCTION	RATING	BODY COLOUR	ROCKER COLOUR	MARKING COLOUR	MARKING COLOUR					

FUNCTION	RATING	BODY COLOUR	ROCKER COLOUR	MARKING COLOUR	MARKING
<p>2 Terminal C - 6</p> <p>8 Terminal C</p> <p>L Terminal 5</p>	<p>3</p> <p>10 (4) A / 250 VAC 6 (4) A / 250 VAC - 5E4 T125/55 °C - T125 °C EN 61058-1</p> <p>10 A GP - 125 / 250 VAC 1/3 HP - 125 VAC 1/2 HP - 250 VAC T105/55 °C UL 61058-1</p>	<p>1 black</p> <p>2 white</p> <p>X custom</p>	<p>1 black</p> <p>2 white</p> <p>ILLUMINATED </p> <p>G red</p> <p>H orange</p> <p>E green</p> <p>L white</p> <p>X custom</p>	<p>0 none</p> <p>1 black</p> <p>2 white</p> <p>8 red</p> <p>X custom</p>	<p>0 </p> <p>1 </p> <p>2 </p> <p>3 </p> <p>C </p> <p>K </p> <p>X </p>