

**R1****TYPICAL APPLICATIONS**

Fan heaters, small ovens, cleaners

**FUNCTIONS**

■ 30° steps (up to 6 positions), SP or DP

**CYCLE NO.**

10.000 (50.000 on demand)

**CUT OUT**

28 mm interaxes screws

**AMBIENT TEMPERATURE**

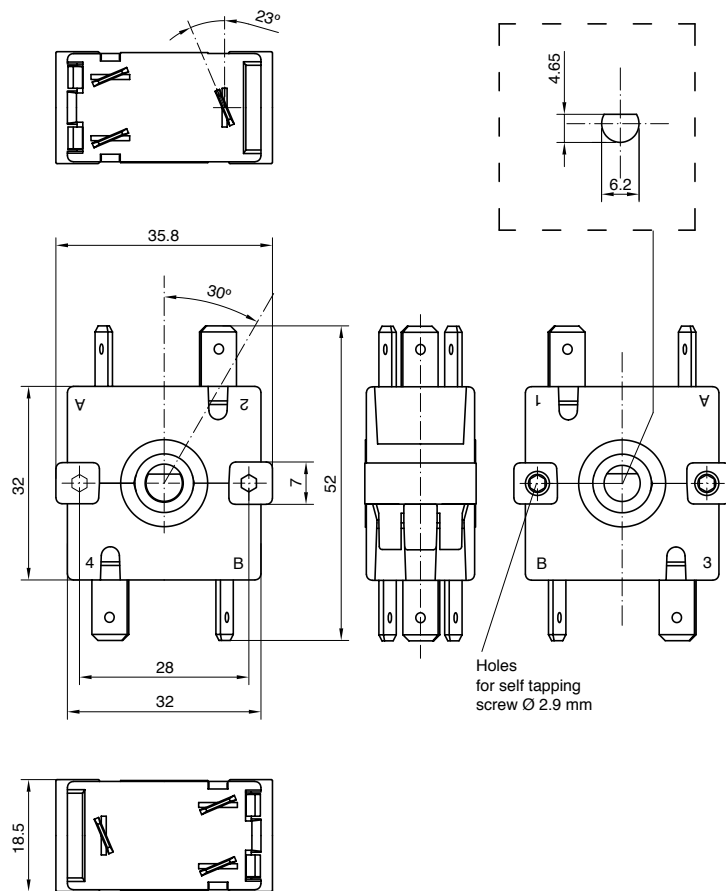
150 °C

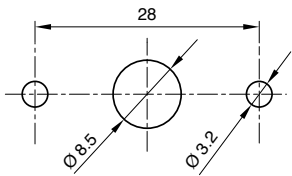
**GWT**

850 °C

**GWT NO FLAME (<2sec)**

750 °C on demand

**R****1****DRAWING**



**TERMINAL**

**1**

**FUNCTION**

**A1**

**A2**

**A4**

**D2**

**D3**

**D5**

**DA**

**DC**

**E4**

**GT**

**RATING**

**1**

13 (3) A / 250 VAC  
 6 (6) A / 250 VAC  
 T150 °C  
 EN 61058-1

13 (3) A / 250 VAC  
 T120 °C  
 UL 61058-1

**SHAFT**

**0** No shaft

**1**

Shaft also available separately R019000

**2**

Shaft also available separately R023000

**3**

Shaft also available separately R022000

**4**

Shaft also available separately R104000