

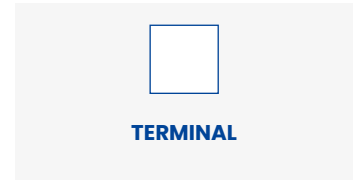
SX81



TYPICAL APPLICATIONS	Refrigerators, electromedical appliances coffee machines, gardening equipments
FUNCTIONS	<ul style="list-style-type: none"> ■ SPST, momentary or not ■ SPST illuminated ■ SPST illuminated ■ SPST illuminated
CYCLE No.	50,000
CUT OUT	30x11 mm
AMBIENT TEMPERATURE	125 °C
GWT	850 °C
GWT NO FLAME (<2 sec)	750 °C on demand



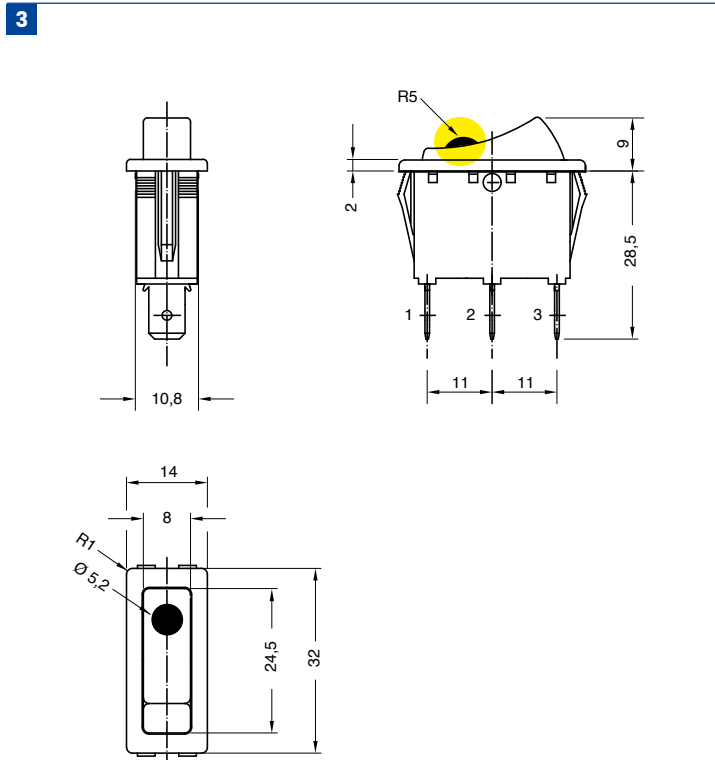
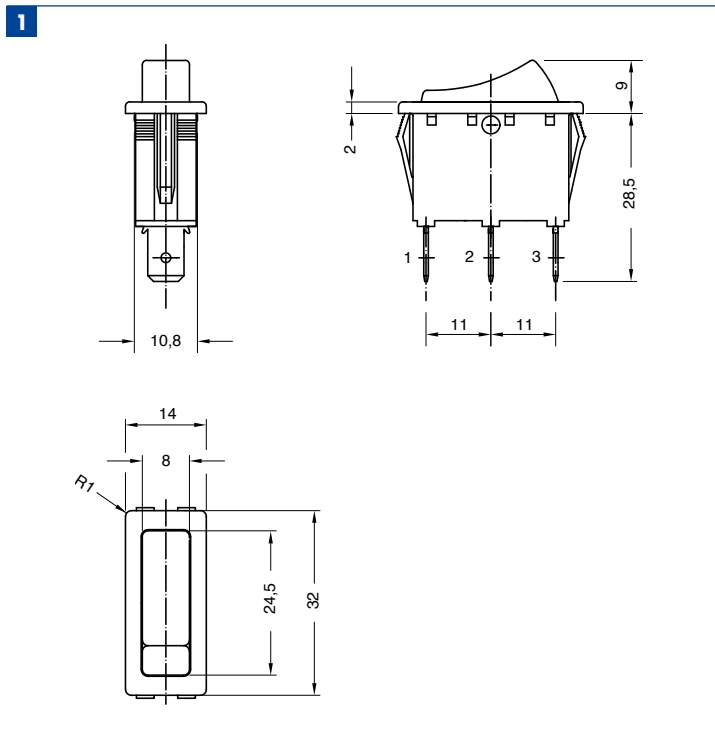
DRAWING

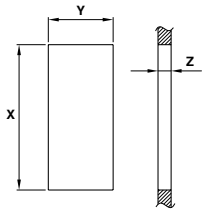


TERMINAL



WATERPROOF CAP





	Z	Y	X
PLASTIC	0,7 ... 3,5	11,0 ±0,1	30,0 +0,2 0
METAL	0,7 ... 2,5	11,0 ±0,1	30,0 +0,2 0

S X 8 1 0 0 0

DRAWING TERMINAL FUNCTION RATING BODY COLOUR ROCKER COLOUR MARKING COLOUR MARKING LENS COLOUR

FUNCTION	RATING	BODY COLOUR	ROCKER COLOUR	MARKING COLOUR	MARKING	LENS COLOUR
1 3 4 5 6 	8 Function 1 20 (2) A / 250 VAC* 16 (8) A / 250 VAC 10 (4) A / 400 VAC 10 (6) A / 250 VAC - 5E4 T125/55 °C EN 61058-1 20 A GP / 125 VAC 16 A GP / 250 VAC 3/4 HP - 125 / 250 VAC T105/55 °C UL 61058-1 Function 3 - 4 16 (6) A / 250 VAC 10 (4) A / 400 VAC 10 (4) A / 250 VAC - 5E4 T125/55 °C EN 61058-1 20 A GP / 125 VAC 16 A GP / 250 VAC 3/4 HP - 125 / 250 VAC T105/55 °C UL 61058-1 Function 5 16 (6) A / 250 VAC 10 (4) A / 250 VAC - 5E4 T125/55 °C EN 61058-1 16 A GP / 250 VAC 3/4 HP - 125 / 250 VAC T105/55 °C UL 61058-1 Function 6 20 (2) A / 250 VAC* 16 (8) A / 250 VAC 10 (6) A / 250 VAC - 5E4 T125/55 °C EN 61058-1 20 A GP / 125 VAC 16 A GP / 250 VAC 3/4 HP - 125 / 250 VAC T105/55 °C UL 61058-1 * Not available with terminal 2	1 black 2 white X custom	1 black 2 white 9 red ILLUMINATED ✨ G red H orange E green L white X custom	0 none 1 black 2 white X custom	0 1 2 3 A C D N P X	0 none ILLUMINATED ✨ G red H orange E green X custom