

# SXL4



<b>TYPICAL APPLICATIONS</b>	Coffee machines, washing machines
<b>FUNCTIONS</b>	<ul style="list-style-type: none"> <li>■ SPST, momentary or not</li> <li>■ SPST, illuminated or not</li> <li>■ DPST, momentary or not</li> <li>■ DPST, illuminated or not</li> </ul>
<b>CYCLE No.</b>	50.000
<b>CUT OUT</b>	19x13 mm
<b>AMBIENT TEMPERATURE</b>	125 °C
<b>GWT</b>	850 °C
<b>GWT NO FLAME (&lt;2 sec)</b>	750 °C



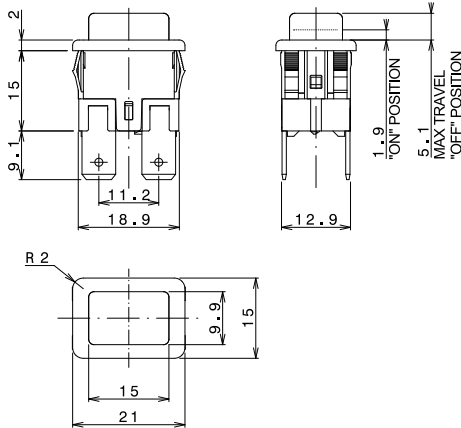
DRAWING



TERMINAL



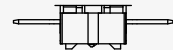
**1**  
Flat



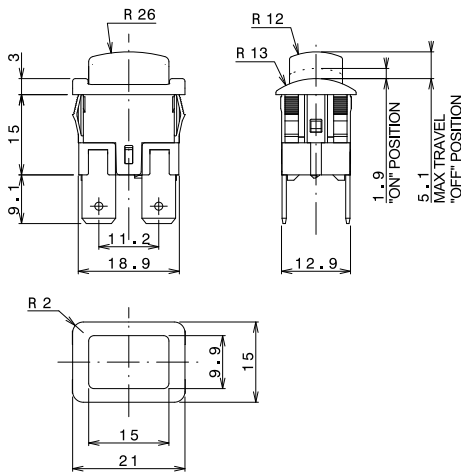
**1** Drawing 1 - 2 - 3  
Vertical terminal  
6.3x0.8



**A** Drawing 1  
Horizontal terminal  
6.3x0.8



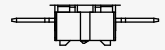
**2**  
Bowl



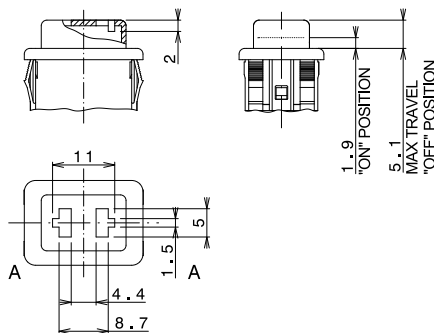
**2** Drawing 1 - 2 - 3  
Vertical terminal  
4.8x0.8



**B** Drawing 1 - 3  
Horizontal terminal  
4.8x0.8

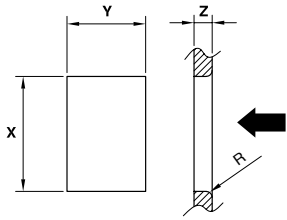


**3**  
Customizable

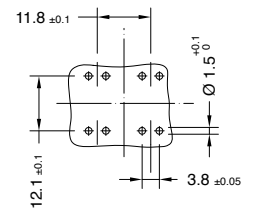
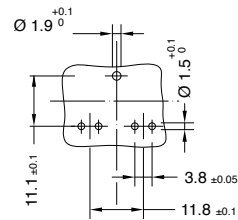


**4** Drawing 1 - 2  
Vertical PCB terminal





Z	Y		X	
0,5 ... 1,2	12,9	+0,1 0	19,0	+0,2 0
1,2 ... 2,0	12,9	+0,1 0	19,3	+0,2 0
2,0 ... 3,0	12,9	+0,1 0	19,6	+0,2 0



**S** **X** **L** **4**          **S** **O** **O** **W**

DRAWING TERMINAL FUNCTION RATING BODY COLOUR BUTTON COLOUR MARKING COLOUR MARKING

FUNCTION	RATING	BODY COLOUR	BUTTON COLOUR	MARKING COLOUR	MARKING
<b>1</b>  <b>2</b>  <b>4</b>  <b>6</b> No drawing 3  <b>7</b>  <b>8</b> No drawing 3 	<b>H</b> 16 (4) A / 250 VAC 12 (8) A / 250 VAC 10 (6) A / 250 VAC - 5E4 T125/55 °C EN 61058-1  16 (4) A 125 / 250 VAC 12 (10) A 125 / 250 VAC 1/2 HP - 125 VAC 3/4 HP - 250 VAC T125/55 °C UL 61058-1  <b>9</b> 12 (8) A / 250 VAC - 5E4 T85/55 °C EN 61058-1  16 (4) A 125 / 250 VAC 12 (10) A 125 / 250 VAC 1/2 HP - 125 VAC 3/4 HP - 250 VAC T125/55 °C UL 61058-1	<b>1</b> <input type="checkbox"/> black <b>2</b> <input type="checkbox"/> white <b>X</b> <input type="checkbox"/> ? custom	Drawing 1 - 3 <b>1</b> <input type="checkbox"/> black <b>2</b> <input type="checkbox"/> white  Drawing 1 - 2 <b>M</b> <input type="checkbox"/> white <b>N</b> <input type="checkbox"/> black <b>R</b> <input type="checkbox"/> red	<b>0</b> none <b>1</b> <input type="checkbox"/> black <b>2</b> <input type="checkbox"/> white <b>X</b> <input type="checkbox"/> ? custom	<b>0</b> <input type="checkbox"/> <b>1</b> <input type="checkbox"/> (1) <b>R</b> <input type="checkbox"/> (-) <b>X</b> <input type="checkbox"/> ?
			<b>ILLUMINATED</b> ✨ <b>G</b> <input type="checkbox"/> red <b>H</b> <input type="checkbox"/> orange <b>E</b> <input type="checkbox"/> green <b>L</b> <input type="checkbox"/> white <b>F</b> <input type="checkbox"/> blue  <b>X</b> <input type="checkbox"/> ? custom		