

# TECNO



<b>TYPICAL APPLICATIONS</b>	Cleaning and outdoor, small appliances, chainsaw, gardening
<b>FUNCTIONS</b>	■ SPST, momentary or not
<b>CYCLE No.</b>	50.000
<b>CUT OUT</b>	19x13 mm
<b>AMBIENT TEMPERATURE</b>	125 °C
<b>GWT</b>	850 °C
<b>GWT NO FLAME (&lt;2sec)</b>	750 °C on demand

## T E C N O

### DRAWING



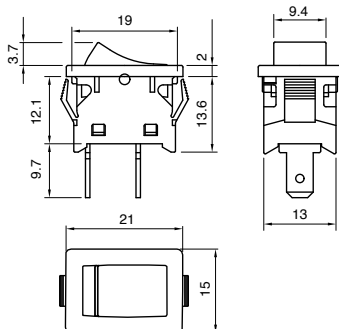
### TERMINAL



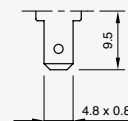
**NOTES**

Water splash proof body

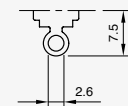
7



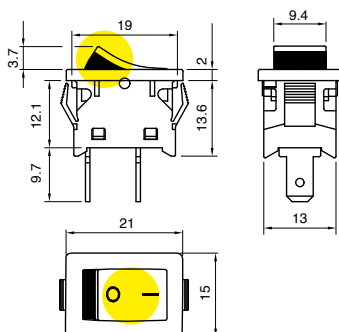
1



2



1



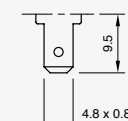
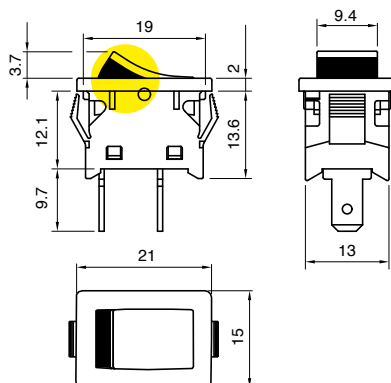
## T E C N O 4

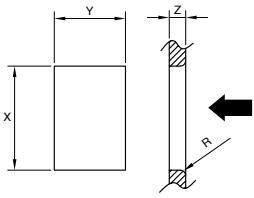
### DRAWING



### TERMINAL

1





Z	Y		X	
0,75 ... 3,5	13,0	+0,2 0	19,0	+0,2 0

**T E C N O**          **0 0 0**

DRAWING TERMINAL FUNCTION RATING BODY COLOUR ROCKER COLOUR MARKING COLOUR MARKING

FUNCTION	RATING	BODY COLOUR	ROCKER COLOUR	MARKING COLOUR	MARKING
<p><b>1</b></p> <p><b>4</b> Drawing 7</p>	<p><b>3</b></p> <p>10 (4) A / 250 VAC 10 / 100 A / 250 VAC 6 (4) A / 250 VAC - 5E4 T125/55 °C EN 61058</p> <p>15 A / 125 VAC T65 °C UL 1054</p>	<p><b>1</b> </p> <p>black</p> <p><b>X</b> <input type="checkbox"/> <b>?</b></p> <p>custom</p>	<p><b>1</b> </p> <p>black</p> <p><b>X</b> <input type="checkbox"/> <b>?</b></p> <p>custom</p>	<p>Drawing 7</p> <p><b>0</b></p> <p>none</p> <p><b>2</b> <input type="checkbox"/></p> <p>white</p> <p><b>X</b> <input type="checkbox"/> <b>?</b></p> <p>custom</p> <p>Drawing 1 Side and marking</p> <p><b>9</b> </p> <p>red</p>	<p><b>0</b> </p> <p><b>1</b> </p> <p><b>3</b> </p> <p><b>X</b> <input type="checkbox"/> <b>?</b></p> <p>Drawing 1 from mould</p> <p><b>1</b> </p>

**T E C N O 4**           **0 0**

TERMINAL FUNCTION RATING BODY COLOUR ROCKER COLOUR MARKING COLOUR MARKING

FUNCTION	RATING	BODY COLOUR	ROCKER COLOUR	MARKING COLOUR	MARKING
<p><b>1</b></p>	<p><b>3</b></p> <p>10 (4) A / 250 VAC 10 / 100 A / 250 VAC 6 (4) A / 250 VAC - 5E4 T125/55 °C EN 61058</p> <p>15 A / 125 VAC T65 °C UL 1054</p>	<p><b>1</b> </p> <p>black</p> <p><b>X</b> <input type="checkbox"/> <b>?</b></p> <p>custom</p>	<p><b>19</b> </p> <p>top side black red</p>	<p><b>0</b></p> <p>none</p> <p><b>2</b> <input type="checkbox"/></p> <p>white</p> <p><b>X</b> <input type="checkbox"/> <b>?</b></p> <p>custom</p>	<p><b>0</b> </p> <p><b>1</b> </p> <p><b>3</b> </p> <p><b>X</b> <input type="checkbox"/> <b>?</b></p>